

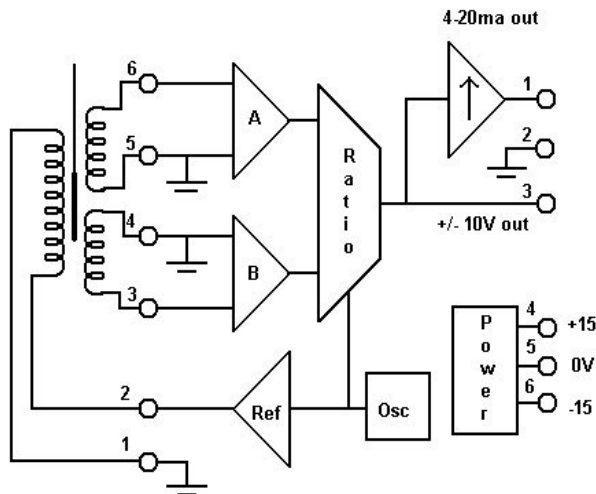
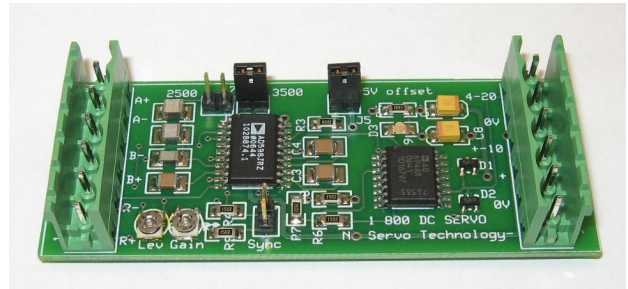


Serving Industry Since 1975 With
**Quality Repairs On Automation
 Controls**

Electronics * Hydraulics * Pneumatics * Magnetics

**NCOD-15-10
 LVDT Oscillator Demodulator**

- Frequency Selectable Oscillator
- Adjustable Gain
- 4-20ma or +/- 10V Output
- Fits 3 ¼ in Snap Track
- Cable break alarm light
- Operates off +/- 15V



The NCOD-15-10 is capable of interfacing to a wide variety of LVDT transducers with primary voltages as high as 24V and secondary levels as low as 100mV. The output is configurable for either +/- 10 volts or 4-20ma current loop with a cable break alarm light to indicate loop continuity. The ratiometric decoding scheme gives it immunity from primary to secondary phase shift and transducer null voltage errors. It's small size (less than 1 ½ in. of a 3 ¼ Snap Track) allows for flexible mounting configurations.